



# HEATMASTER<sup>TM</sup>

## VENT-FREE FIREBOX

**MODEL: HVF-36 and HVF-42**

**&**

**MODEL: HVF-BM-36 AND HVF-BM-42**

### INSTALLATION, OPERATION AND MAINTENANCE MANUAL

**FOR USE ONLY WITH A LISTED GAS-FIRED  
UNVENTED DECORATIVE ROOM HEATER NOT  
TO EXCEED 40,000 BTU/H.**

**DO NOT BUILD A WOOD FIRE.**

Carefully review the instructions supplied with the decorative type unvented room heater for the minimum fireplace size requirements.

DO NOT INSTALL AN APPLIANCE IN THIS FIREBOX  
UNLESS THIS FIREBOX MEETS THE  
MINIMUM DIMENSIONS REQUIRED FOR THE INSTALLATION.

**WARNING:** If the information in this manual is not followed exactly, a fire or explosion may result causing property damage, personal injury or loss of life.

**INSTALLER:** Leave this manual with the appliance.  
**CONSUMER:** Retain this manual for future reference.

## SAFETY CODES AND STANDARDS

The design of this firebox has been tested and approved by the C.S.A. in accordance with ANSI Z21.91b-2007 UNVENTED FIREBOX ENCLOSURES FOR GAS-FIRE UNVENTED DECORATIVE ROOM HEATERS. This firebox is UNIVERSALLY LISTED for use with the compatibly sized decorative type unvented room heaters, which comply with standard Volume II Z21.11.2 of the American National Standards Institute. This manual serves only as a basic guideline for installation of this firebox and gas piping. The complete installation must be in accordance with local codes and ordinances or, in the absence of local codes, with American National Standards Institute Fuel Gas Code Z223.1/NFPA 54.

## SELECTING A LOCATION FOR THE FIREBOX

This firebox may be installed at 0" clearance to combustibles at its bottom and top framing spacers. See installation instructions for other clearances.

It is imperative that adequate clearances around air openings into and away from this firebox be maintained. To ensure these clearances, do not place any object closer than 24 inches directly in front of the firebox. Do not block any openings in the firebox.

See optional location in this manual for the many ways in which this unit could be located in the home. When the firebox is installed directly on carpeting, tile, or other combustible material other than wood flooring, the firebox shall be installed on a metal or wood panel extending the full width and depth of the enclosure.

## INSTALLATION INFORMATION

**IMPORTANT:** Before beginning the installation, check with local building officials to assure compliance with local regulations and codes, and to obtain any required permits.

A qualified installer or service agency must perform installation and service. All instructions should be read and understood prior to installing the firebox. Protective wear such as safety glasses to protect eyes and work gloves should be worn during the installation.

Heavy stone or brick facings and/or hearth extensions may require additional foundation support not located near a load-bearing wall.

The unit may be installed at zero-clearance to the floor and top framing spacers. **Warning:** Do not notch framing or alter the spacers. The back of the unit needs to have a 1" clearance from combustible material.

Check to see if the unit is square prior to securing. Secure the unit to framing using the built-in nailing flanges. The nailing flanges have been designed to allow the application of ½" wallboard or plywood flush with the firebox face. Directly above the unit, noncombustible wallboard should be used as specified in this instruction manual.

Do not fill the spaces around the firebox with insulation or other materials. The floor under the unit and the area above the top framing spacers should be insulated. This will reduce cold air infiltration, reduce heat loss and increase the heating efficiency of the product.

Provisions for adequate combustion and ventilation air must be provided for the decorative type unvented room heater to be installed in this firebox. Refer to the instructions supplied with the decorative type unvented room heater.

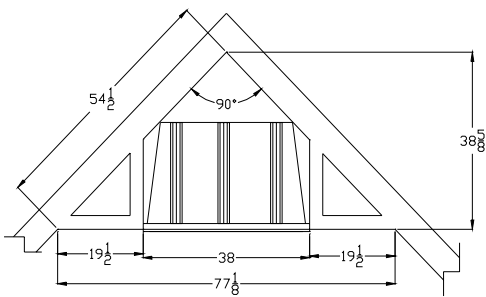
**ATTENTION INSTALLER:**

1. Attach with fasteners the label that was supplied with the unvented fireplace insert to the inside of the solid-fuel burning fireplace or listed unvented firebox enclosure into which the unvented fireplace insert is installed.
2. DO NOT cut any sheet metal parts of the solid-fuel burning fireplace or listed unvented firebox enclosure in which the unvented fireplace insert is to be installed.
3. If the factory-built fireplace has no gas access hole(s) provided an access hole of 1.5 inch (37.5mm) diameter or less may be drilled through the lower sides or bottom of the firebox in a proper workmanlike manner. This access hole must be plugged with non-combustible insulation after the gas supply line has been installed.
4. The glass doors, screen rails, screen mesh and solid-fuel log grates can be removed from the fireplace before installing the unvented fireplace insert.
5. If attached by fasteners the smoke shelves, shields and baffles may be removed.
6. The trim panels or surrounds shall not seal ventilation openings in the fireplace.
7. Make sure to leave adequate clearances for accessibility for purposes of servicing and proper operation.
8. Combustible flooring installation: When the vent free firebox is installed directly on carpeting, tile, or other combustible material other than wood flooring, the vent free firebox shall be installed on a metal or wood panel extending the full width and depth of the vent free firebox.
9. Solid fuels shall not be burned in a fireplace where an unvented room heater is installed.

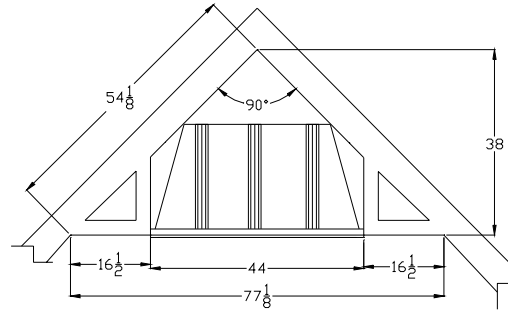


## GUIDELINE DIMENSIONS FOR CORNER APPLICATION

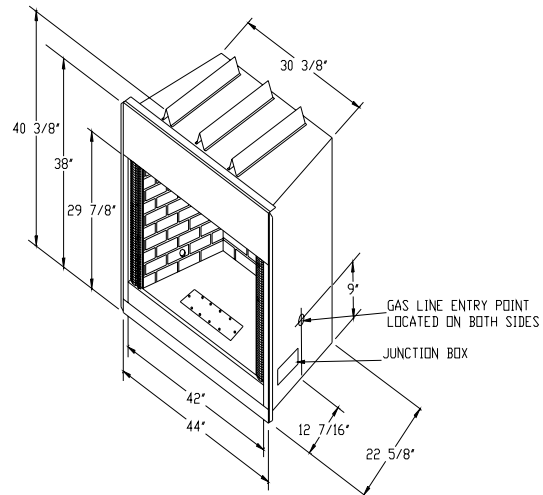
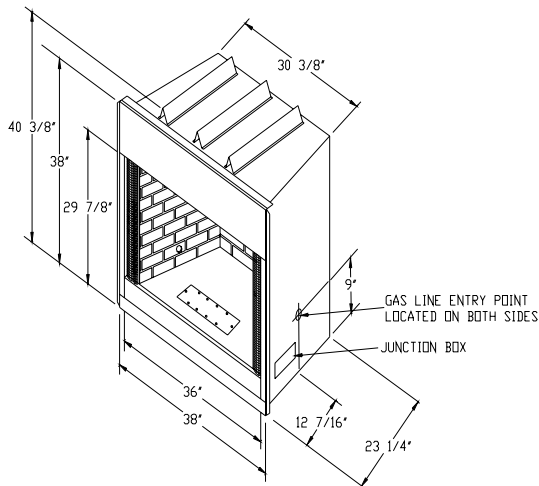
HVF-36 & HVF-BM-36



HVF-42 & HVF-BM-42



## FIREBOX DIMENSIONS



HVF-36

INNER FIREBOX DIMENSIONS:  
 21 7/8" HEIGHT  
 29 1/2" FRONT WIDTH, (BRICK TO BRICK)  
 25" REAR WIDTH, (BRICK TO BRICK)  
 18 1/2" DEPTH, (FRONT TO REAR)

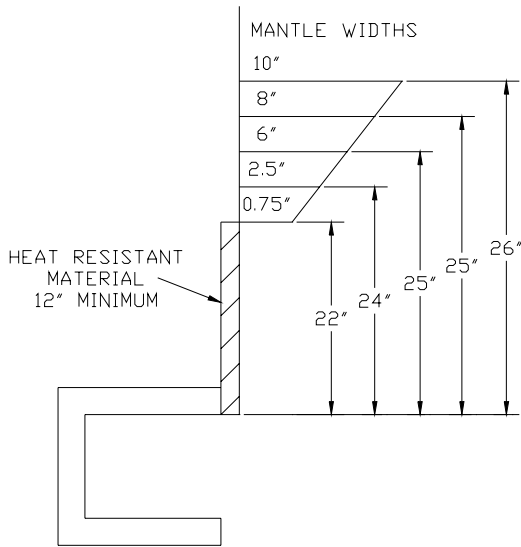
HVF-42

INNER FIREBOX DIMENSIONS:  
 21 7/8" HEIGHT  
 35 1/4" FRONT WIDTH, (BRICK TO BRICK)  
 25" REAR WIDTH, (BRICK TO BRICK)  
 18 1/4" DEPTH, (FRONT TO REAR)

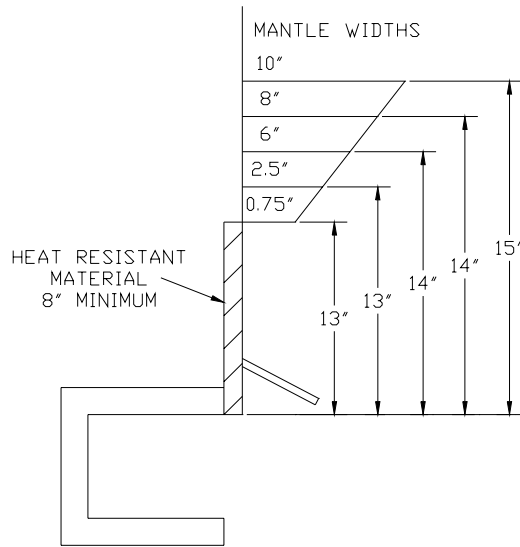


**MANTLE CLEARANCES AND NONCOMBUSTIBLE MATERIAL REQUIREMENTS FOR DECORATIVE TYPE UNVENTED ROOM HEATERS.**

**WITHOUT HOOD**



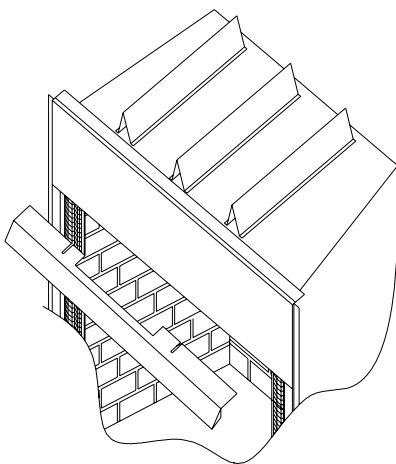
**WITH HOOD**



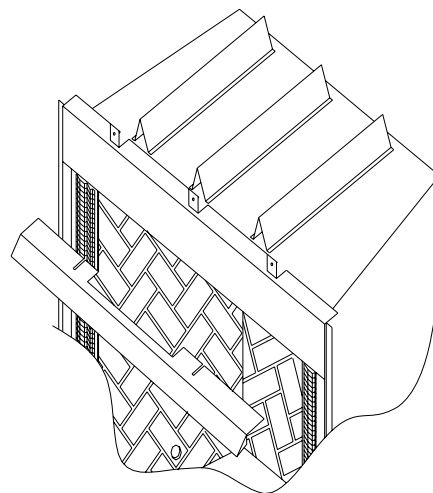
**Note:** The stated installation clearances provide the safest distance for combustible materials to ensure that walls, ceilings, and mantle components will not be affected by heat discoloration, warping, or possible fire. Each appliance installation presents a different set of variables which can create problems beyond the control of the gas log manufacturer. It is the responsibility of the installer to stay within the minimum clearances stated and set forth by the manufacturer within this instruction manual.

The firebox is shipped with a 2 ¾" hood. Loosen screws and slide the hood into place and tighten screws to hold hood. Heatmaster, LLC. has an optional 4" hood to replace the standard 2 ¾" hood. Contact your local dealer for details. NOTE: The hood provided with this firebox must not be modified or replaced with another hood or canopy that is not supplied or approved by Heatmaster LLC.

**HVF-36 & HVF-42**



**HVF-BM-36 & HVF-BM-42**



## GAS PIPING AND GAS PRESSURE REQUIREMENTS

All gas piping must be installed to comply with local codes or, in the absence of local codes, with the latest edition of the National Fuel Gas Code ANSI Z223.1/NFPA 54.

Unions in gas lines shall be of the ground joint type. Compounds used on threaded joints of gas piping must be resistant to the action of liquefied petroleum gas.

Gas piping must be of sufficient size to provide a minimum natural gas pressure at the appliance of 7" water column or 11" for LP gases. The maximum inlet pressure to the unit must not exceed 10" for natural gas and 13" for LP gases. Manifold pressure for natural gas is 4"WC and 10"WC for LP gas. If this unit is to be supplied with LP gas (bottled propane) the tank or bottle supplying the gas must have a regulator that reduces the gas pressure to between 11 and 13 inches water column. The control will not operate with gas line pressure directly from the tank and may leak gas due to this excessive pressure.

**DANGER:** OPERATION OF THIS UNIT ON LP GAS WITHOUT AN APPROVED REGULATOR AT THE SUPPLY CONTAINER WILL LEAD TO GAS LEAKS AT THE CONTROL WITH POSSIBLE FIRE OR EXPLOSION.

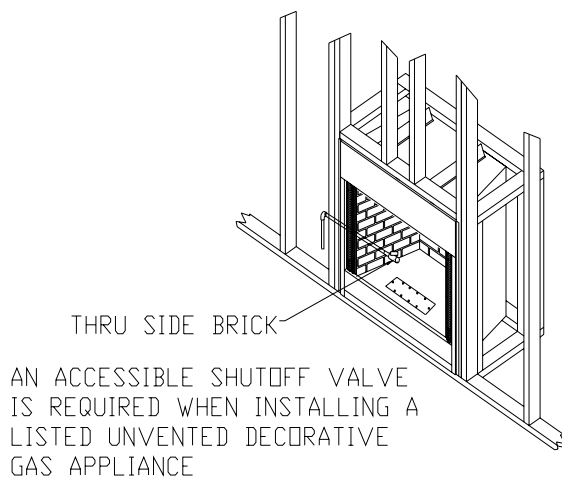
Include a manual shutoff valve and union in the line so the control or heater may be disconnected for servicing. Include a drip leg and a plugged 1/8-inch N.P.T. tapping in the line also. The tapping must be accessible for test gauge connection immediately upstream of the gas supply connection to the unit.

Use a soap-water solution or a liquid gas leak detector to coat each joint in the piping system and look for bubbles, which indicate gas leaks. Repair all gas leaks.

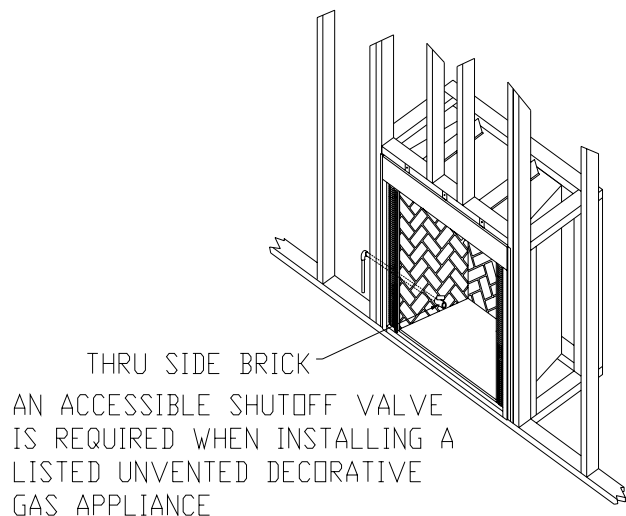
**CAUTION:** THE LOG SET AND ITS INDIVIDUAL SHUTOFF VALVE MUST BE DISCONNECTED FROM THE GAS SUPPLY PIPING SYSTEM DURING PRESSURE TESTING OF THAT SYSTEM AT TEST PRESSURES IN EXCESS OF 1/2 PSIG. THE UNIT MUST BE ISOLATED FROM THE GAS SUPPLY PIPING SYSTEM BY CLOSING ITS INDIVIDUAL MANUAL SHUTOFF VALVE DURING ANY PRESSURE TESTING OF THE GAS SUPPLY PIPING SYSTEM AT TEST PRESSURES EQUAL TO OR LESS THAN 1/2 PSIG. PRESSURES IN EXCESS OF 1/2 PSIG WILL CAUSE DAMAGE TO THE CONTROL VALVE AND MAY CAUSE DAMAGE TO THE SHUTOFF VALVE.

**DANGER:** DO NOT USE CANDLES, MATCHES OR OTHER IGNITION SOURCES WHEN CHECKING FOR LEAKS. FUEL GASES ARE VERY FLAMMABLE AND, IN CERTAIN CONCENTRATIONS, EXPLOSIVE. CHECKING FOR LEAKS WITH AN OPEN FLAME MAY LEAD TO FIRE OR EXPLOSION.

HVF-36 & HVF-42



HVF-BM-36 & HVF-BM-42



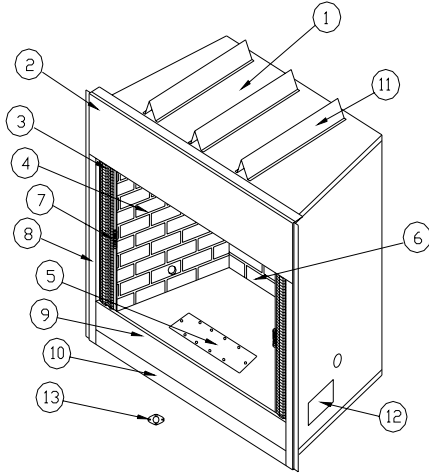
## IMPORTANT SAFETY

Fireplace screens need to be closed before operation of this unvented decorative room heater.

This firebox has no chimney; therefore, **DO NOT** burn anything such as household refuse, paper, firewood, or manufactured composition logs. Burning anything in this firebox other than properly plumbed LP or Natural gas connected to a decorative type unvented room heater is strictly prohibited. Doing so will cause an immediate hazard and void any and all warranties associated with this product.

### ORDERING PARTS FOR HVF-36 & HVF-42

Replacement parts for your firebox can be obtained from your local dealer. Should you need additional information beyond what your dealer can furnish, contact: Heatmaster, LLC. 3625 Benson RD, Angier, N.C. 27501 (919) 639-4568.



- WHEN ORDERING PARTS, SPECIFY:
1. Firebox model number
  2. Component model number (if known)
  3. Part number and key number
  4. Part name and quantity

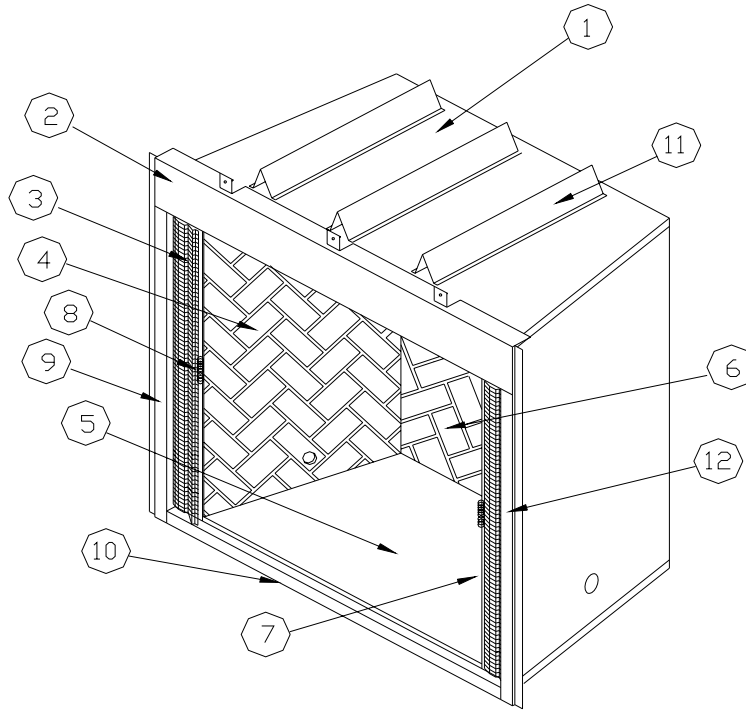
THERMODISC IS LOCATED  
INSIDE FIREBOX

| KEY NO. | PART DESCRIPTION   | PART NUMBER FOR 36 UNIT | PART NUMBER FOR 42 UNIT | QTY |
|---------|--------------------|-------------------------|-------------------------|-----|
| 1       | OUTER CAP          | HFB36-02-08             | HFB42-02-08             | 1   |
| 2       | FRONT TOP PLATE    | HFB36-02-17             | HFB42-02-17             | 1   |
| 3       | SCREEN             | 11-1409                 | 11-1409                 | 2   |
| 4       | FIREBRICK SIDE     | H-FBSP                  | H-FBSP                  | 2   |
| 5       | FAN ACCESS PLATE   | HFB-02-14               | HFB-02-14               | 1   |
| 6       | FIREBRICK BACK     | H-FBBP                  | H-FBBP                  | 1   |
| 7       | SPRING             | 02-1047                 | 02-1047                 | 2   |
| 8       | FRONT SIDE L/R     | HFB-02-07               | HFB-02-07               | 1   |
| 9       | FRONT BOTTOM PLATE | HFB36-02-18             | HFB42-02-18             | 1   |
| 10      | FRONT BOTTOM       | HFB36-02-14             | HFB42-02-14             | 1   |
| 11      | OUTER CAP BRACE    | HFB-02-18               | HFB-02-18               | 2/3 |
| 12      | COVER PLATE        | HFB-02-25               | HFB-02-25               | 1   |
| 13      | THERMODISC         | 11-1395                 | 11-1395                 | 1   |
|         | HOOD (NOT SHOWN)   | HFB36-02-25             | HFB42-02-25             | 1   |
|         | HOOD (NOT SHOWN)   | HFB36-02-27             | HFB42-02-27             | 1   |

### OPTIONAL ACCESSORIES:

HEATMASTER, LLC. HFB-B BLOWER KIT IS AVAILABLE FOR USE WITH THIS FIREBOX. INSTALLATION INSTRUCTIONS ARE PROVIDED WITH EACH HFB-B BLOWER KIT. DO NOT USE ANY OTHER BLOWER KIT WITH THIS FIREBOX. THE LOCATION OF THE COVER PLATE (ITEM 5) ON THE FIREBOX'S HEARTH MUST BE REMOVED TO INSTALL THE BLOWER. SAVE THE SCREWS THAT WAS USED TO SECURE THE COVER PLATE AND USE THEM TO INSTALL THE BLOWER. THE BLOWER SHOULD BE INSTALLED DURING INSTALLATION OF THE FIREBOX. IT IS POSSIBLE FOR THE BLOWER TO BE INSTALLED AFTER THE FIREBOX HAS BEEN INSTALLED. THE FIREBOX'S JUNCTION BOX MUST BE CONNECTED TO A 120 VAC, 10 AMP MINIMUM, 60 HZ ELECTRICAL CIRCUIT AND ELECTRICALLY GROUNDED IN ACCORDANCE WITH LOCAL CODES. IN THE ABSENCE OF LOCAL CODES, USE THE NATIONAL ELECTRICAL CODE, **ANSI/NFPA 70**. **THE JUNCTION BOX WIRING CONNECTIONS MUST BE DONE BEFORE THE FRAMED WALLS ARE COVERED WITH FINISHING MATERIAL.**

## ORDERING PARTS FOR HVF-BM-36 & HVF-BM-42



| KEY NO. | PART DESCRIPTION  | PART NUMBER FOR HVF-BM-36 | PART NUMBER FOR HVF-BM-42 | QTY |
|---------|-------------------|---------------------------|---------------------------|-----|
| 1       | OUTER TOP         | MT-500-OT36               | MT-500-OT42               | 1   |
| 2       | FRONT TOP PLATE   | MT-500-FTP36              | MT-500-FTP42              | 1   |
| 3       | SCREEN            | 11-1419                   | 11-1419                   | 2   |
| 4       | LEFT WALL         | H-BM02                    | H-BM02                    | 1   |
| 5       | FLOOR             | H-BM04                    | H-BM04                    | 1   |
| 6       | BACK WALL         | H-BM01                    | H-BM01                    | 1   |
| 7       | RIGHT WALL        | H-BM03                    | H-BM03                    | 1   |
| 8       | SPRING            | 02-1047                   | 02-1047                   | 2   |
| 9       | LEFT SIDE PLATE   | MT-500-LSP3642            | MT-500-LSP3642            | 1   |
| 10      | OUTER BOTTOM      | MT-500-OB36               | MT-500-OB42               | 1   |
| 11      | OUTER CAP BRACE   | HFB-02-18                 | HFB-02-18                 | 2   |
| 12      | RIGHT SIDE PLATE  | MT-500-RSP3642            | MT-500-RSP3642            | 1   |
|         | HOOD ( NOT SHOWN) | HFB36-02-25               | HFB42-02-25               | 1   |
|         | HOOD ( NOT SHOWN) | HFB36-02-27               | HFB42-02-27               | 1   |

### ORDERING PARTS

Replacement parts for your firebox can be obtained from your local dealer. Should you need additional information beyond what your dealer can furnish contact; Heatmaster, LLC., Angier, N.C. 27501 (919) 639-4568.

#### WHEN ORDERING PARTS, SPECIFY:

1. Firebox model number
2. Component model number (if known)
3. Part number and key number
4. Part name and quantity

**HEATMASTER, LLC.  
LIMITED WARRANTY**

All refractory cement logs manufactured by Heatmaster LLC. have a lifetime warranty against breakage due to heat to the original owner in the original installation.

All other logs supplied from Heatmaster LLC. have a 2 year warranty against breakage due to heat to the original owner in the original installation.

All metal parts, including burners and grate assemblies, are warranted for 5 years.

All other mechanical parts are warranted for 1 year.

**LIMITATIONS**

1. Heatmaster, LLC.'s obligations to the purchaser under this warranty are limited to the repair or replacement of defective part.
2. Repairs or replacement will be performed by Heatmaster, LLC. following delivery of the product by the purchaser to Heatmaster, LLC.'s facility in Angier, North Carolina. The cost of mailing or other delivery to Heatmaster, LLC. shall be borne by the purchaser. The mailing address is: Heatmaster, LLC., 3625 Benson Rd., Angier, NC 27501.
3. Along with the product, the purchaser shall include a written explanation of the approximate date the product was purchased, the dealer or person from whom the product was purchased, the date the defect was first noticed, a description of the nature of the defect, and what the purchaser did, if anything, to repair or correct the defect.
4. To the extent allowed by law, any **implied warranty of merchantability** of **fitness** applicable to this product is limited to the duration of this warranty. Heatmaster, LLC. shall not be liable for loss of use of this product, loss of time, inconvenience, commercial loss or consequential damages. The remedy of repair or replacement of a defective part during the warranty period herein specified shall be the purchasers exclusive remedy.
5. Heatmaster, LLC. is not responsible for any loss or damages caused by purchaser's failure to follow operating & maintenance instructions provided in owners manual.

Dear Purchaser:

We are pleased that you have selected our product and take this opportunity to assure you that qualified service is available if required.

|                        |   |
|------------------------|---|
| Who gets the warranty? | The warranty is limited to the consumer who originally purchased the product.   |
| What is covered?       | This limited warranty covers all imperfections in workmanship and material.   |
| What is not covered?   | This limited warranty does not cover damage resulting from accident, misuse or abuse, lack of proper maintenance, affixing of any attachments not provided with the products, or loss of parts. <b>IN NO EVENT SHALL HEATMASTER, LLC. BE LIABLE FOR ANY SPECIAL, INCIDENTAL OR CONSEQUENTIAL DAMAGES RESULTING FROM MISUSE OR MODIFICATION OF THIS PRODUCT.</b> |

**DEFECTIVE PARTS OR BROKEN LOGS FOR REPLACEMENT MUST BE RETURNED TO THE FACTORY PREPAID ALONG WITH PROOF OF PURCHASE. FACTORY WILL REPAIR OR REPLACE AT FACTORY OPTION AND RETURN TO PURCHASER FREIGHT PREPAID.**