

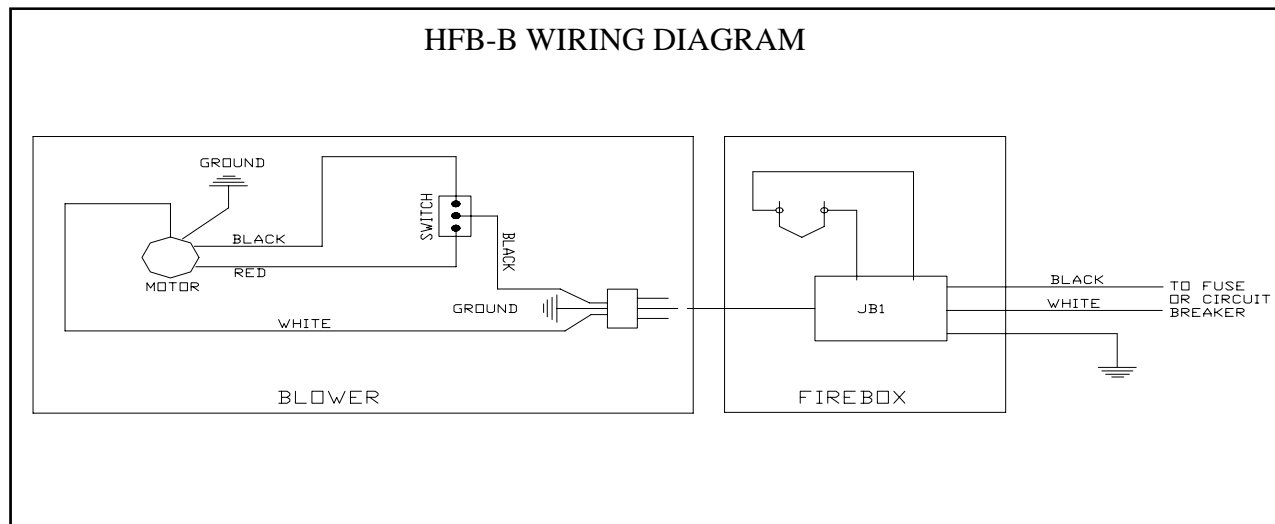
# INSTALLATION INSTRUCTIONS

## HFB-B BLOWER ASSEMBLY

The HFB-B blower is an option for certain fireboxes manufactured by Heatmaster, LLC. Do not install an HFB-B blower in any firebox unless the instructions provided with that firebox specify that is designed for HFB-B blower. Usage of an improper blower could lead to personal injury or property damage. Check with your firebox dealer if you are unsure about usage of this blower in your firebox.

These instructions should be read before installing the blower, used as a guide, and kept for future reference.

To properly install the HFB-B blower, please follow directions below. Before the blower is installed, a JB1 Junction Box must be installed and wired according to the wiring diagram shown below.



**NOTE:** THE JB1 JUNCTION BOX SHOULD BE INSTALLED AND THE RECEPTACLE WIRED TO THE ELECTRICAL SYSTEM OF THE STRUCTURE AT THE TIME OF INSTALLATION OF THE FIREBOX IF THE HFB-B BLOWER IS TO BE USED.

Wiring must be performed by a qualified person in a manner to conform with the National Electrical Code ANSI/NFPA 70 and all applicable local codes. This blower should be on a 10 amp circuit (minimum).

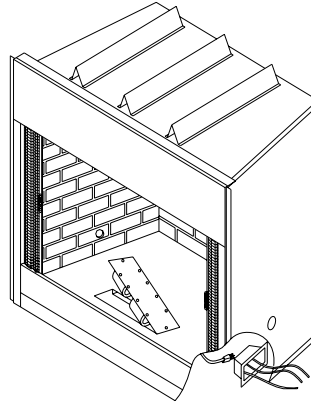
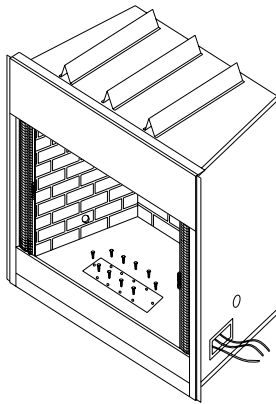
**CAUTION:** ALWAYS CHECK AND MAKE SURE POWER IS OFF BEFORE ATTEMPTING TO INSTALL OR SERVICE ANY ELECTRICAL WIRING OR COMPONENTS.

CONTINUED ON NEXT PAGE

# BLOWER INSTALLATION

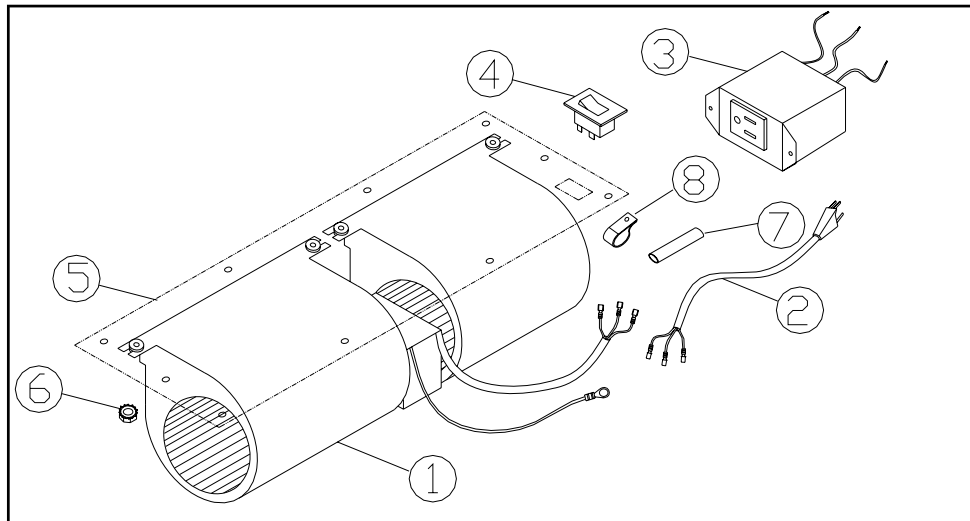
Remove the cover plate from your firebox by removing screws as illustrated below. Install HFB-B blower as shown. Plug blower's cord set into receptacle of JB1 junction box, and reinstall screws to secure blower to firebox.

**NOTICE:** Blower motor is permanently lubricated; it does not require oiling.



Replace with HFB-B blower assembly by first plugging power cord into receptacle located to the right under the hearth pan. Using the same ten screws, secure blower cover plate to the hearth pan.

Remove ten screws from existing cover plate.



If any of the original wire must be replaced, it must be replaced with 105C rated wire gage equal to original wire's gage.

## PARTS LIST

| KEY NO. | PART NO.    | DESCRIPTION     |
|---------|-------------|-----------------|
| 1       | 16-1601     | Blower Motor    |
| 2       | 02-1046     | Power Cord      |
| 3       | JB1         | Junction Box    |
| 4       | 16-1126     | Rocker Switch   |
| 5       | HFB-02-08   | Cover Plate     |
| 6       | FAS-10-32LN | #10-32 Keps Nut |
| 7       | 16-1606     | Wire Insulation |
| 8       | 11-1101     | Clip            |

Order parts from your local dealer by supplying the following information.

1. Part No.
2. Part Description
3. Model Number of Blower
4. Quantity of parts Needed

## **HEATMASTER, LLC. LIMITED WARRANTY**

All refractory cement logs manufactured by Heatmaster LLC. have a lifetime warranty against breakage due to heat to the original owner in the original installation.

All other logs supplied from Heatmaster LLC. have a 2 year warranty against breakage due to heat to the original owner in the original installation.

All metal parts, including burners and grate assemblies, are warranted for 5 years.

All other mechanical parts are warranted for 1 year.

### **LIMITATIONS**

1. Heatmaster, LLC.'s obligations to the purchaser under this warranty are limited to the repair or replacement of defective part.
2. Repairs or replacement will be performed by Heatmaster, LLC. following delivery of the product by the purchaser to Heatmaster, LLC.'s facility in Angier, North Carolina. The cost of mailing or other delivery to Heatmaster, LLC. shall be borne by the purchaser. The mailing address is: Heatmaster, LLC., 3625 Benson Rd., Angier, NC 27501.
3. Along with the product, the purchaser shall include a written explanation of the approximate date the product was purchased, the dealer or person from whom the product was purchased, the date the defect was first noticed, a description of the nature of the defect, and what the purchaser did, if anything, to repair or correct the defect.
4. To the extent allowed by law, any **implied warranty of merchantability** of **fitness** applicable to this product is limited to the duration of this warranty. Heatmaster, LLC. shall not be liable for loss of use of this product, loss of time, inconvenience, commercial loss or consequential damages. The remedy of repair or replacement of a defective part during the warranty period herein specified shall be the purchasers exclusive remedy.
5. Heatmaster, LLC. is not responsible for any loss or damages caused by purchaser's failure to follow operating & maintenance instructions provided in owners manual.

Dear Purchaser:

We are pleased that you have selected our product and take this opportunity to assure you that qualified service is available if required.

Who gets the warranty? The warranty is limited to the consumer who originally purchased the product.

What is covered? This limited warranty covers all imperfections in workmanship and material.

What is not covered? This limited warranty does not cover damage resulting from accident, misuse or abuse, lack of proper maintenance, affixing of any attachments not provided with the products, or loss of parts. **IN NO EVENT SHALL HEATMASTER, LLC. BE LIABLE FOR ANY SPECIAL, INCIDENTAL OR CONSEQUENTIAL DAMAGES RESULTING FROM MISUSE OR MODIFICATION OF THIS PRODUCT.**

**DEFECTIVE PARTS OR BROKEN LOGS FOR REPLACEMENT MUST BE RETURNED TO THE FACTORY PREPAID ALONG WITH PROOF OF PURCHASE. FACTORY WILL REPAIR OR REPLACE AT FACTORY OPTION AND RETURN TO PURCHASER FREIGHT PREPAID.**